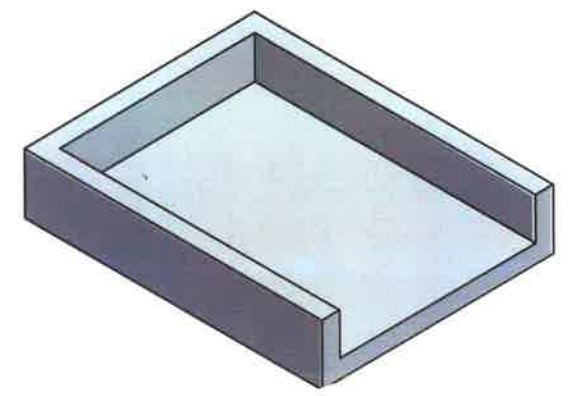


No Production will commence without approved drawings.

Name

Date

Signature.....



S:\CAD\Wet Cast\WC-P0013 - 100 x 280 x 700 Devon Capping - Revelstone\Capping End 390\Capping End 390.ipt

CLIENT: Revelstone **TITLE: 390 x 500 x 100 End Capping** SHEET NO: 1 OF 1 **A3A**

REV	DESCRIPTION	DATE

DRAWN	JACQUES	13/06/2018
CHECKED		13/06/2018
APPROVED		
SCALE		

P O BOX 75098
 GARDENVIEW 2047
 PHONE +27 (0) 11-578 8700



This drawing is the property of PAN MIXERS SOUTH AFRICA and must not be made available to third parties or other firms without written permission.

DRAWING NO. WC-P0013	REVISION