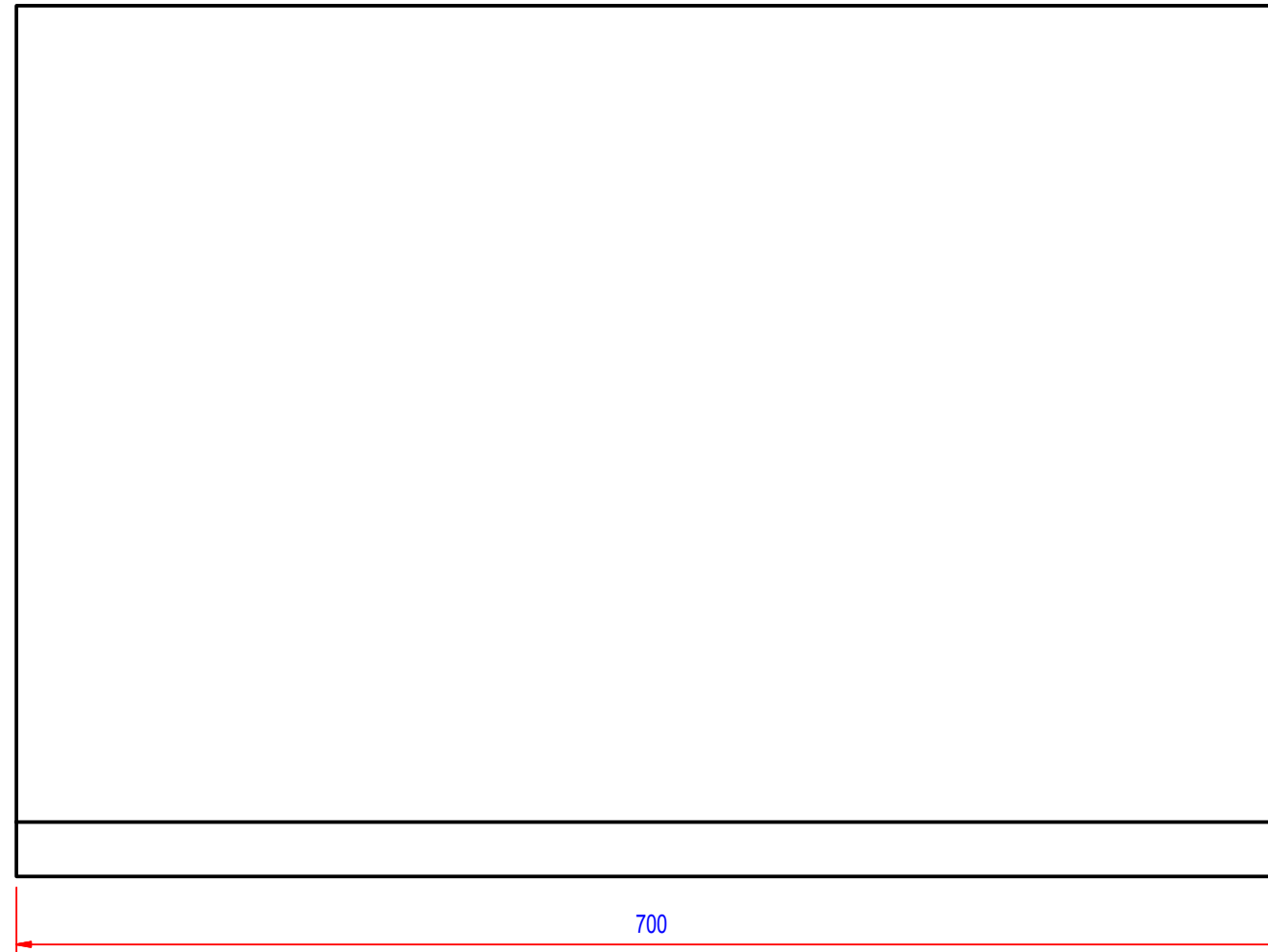
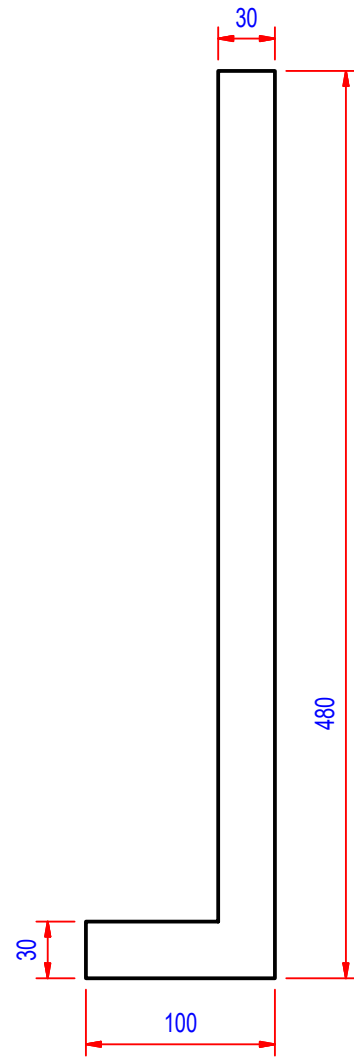
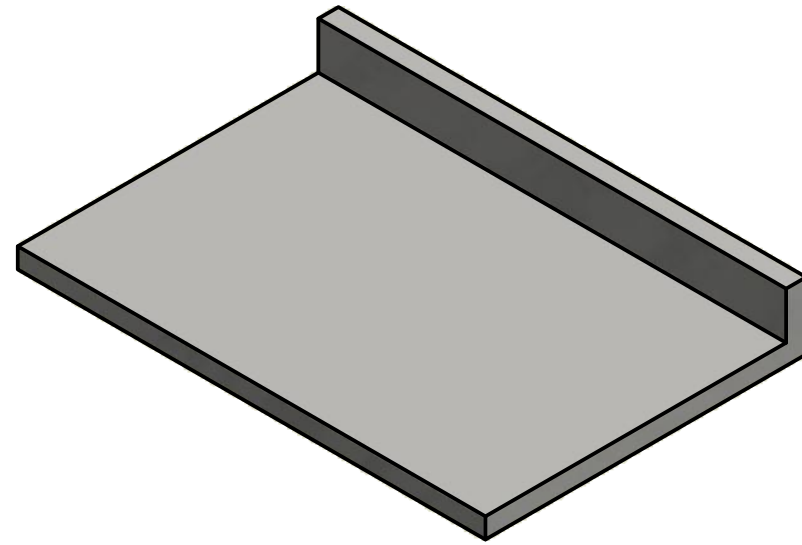


No Production will commence without approved drawings.

Name .....

Date .....

Signature.....



S:\CAD\Wet Cast\WC-P0013 - 100 x 280 x 700 Devon Capping - Revelstone\Single Capping - 390\Single Capping - 390.ipt

**CLIENT: Revelstone**

**TITLE: Devon Single Capping 700 x480 x 100**

SHEET NO: 1 OF 1

A3A

REV	DESCRIPTION	DATE

DRAWN	JACQUES	27/09/2018
CHECKED		27/09/2018
APPROVED		
SCALE		

P.O.BOX 75098  
GARDENVIEW 2047  
PHONE: +27 (0) 11-578 8700



This drawing is the property of PAN MIXERS SOUTH AFRICA and must not be made available to third parties or other firms without written permission

DRAWING NO.	
WC-P0013	

REVISION		